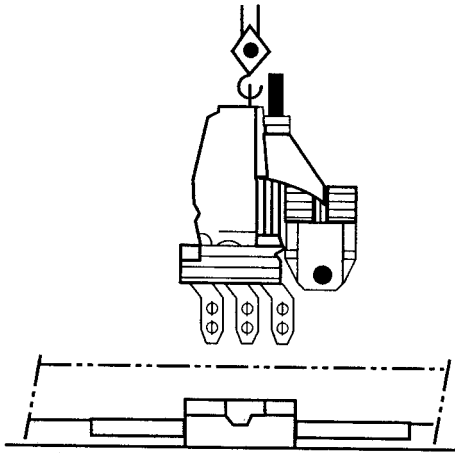


PROCEDURE FOR PRESS-IN WORK WITH THE REACTION STAND

In the procedures from Figure A to Figure E, works should be executed with the Silent Piler being supported, with much care for safety.



A: Reaction Stand Setting

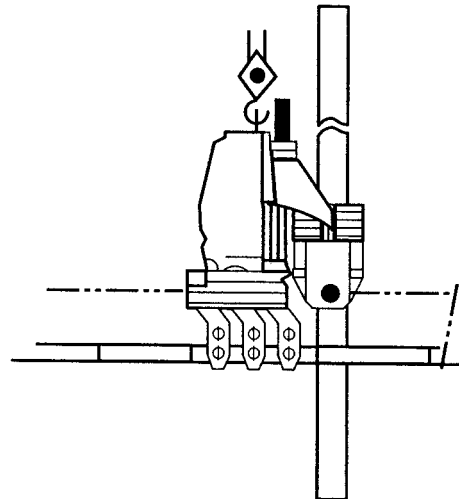
Set the reaction stand level horizontally.

Next, set the Silent Piler and the weights with a crane.

A1

B: Beginning Press-In of the Steel Sheet Pile

Erect a steel sheet pile to the vertical in the Silent Piler and check it for perpendicularity - then begin pressing it in.



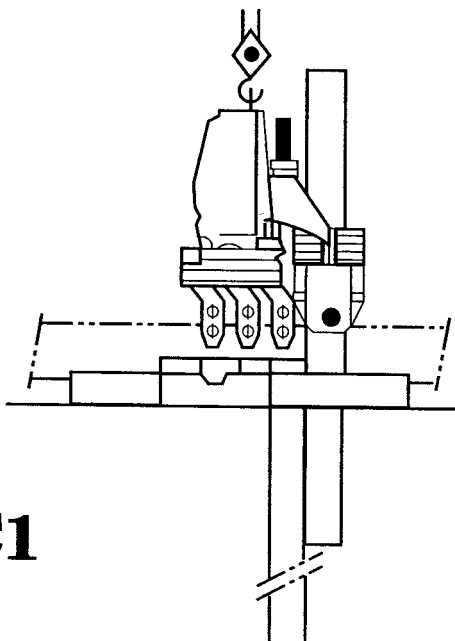
B1

C: Start Self-Movement of the Silent Piler

Press in the first pile up to the specified depth.

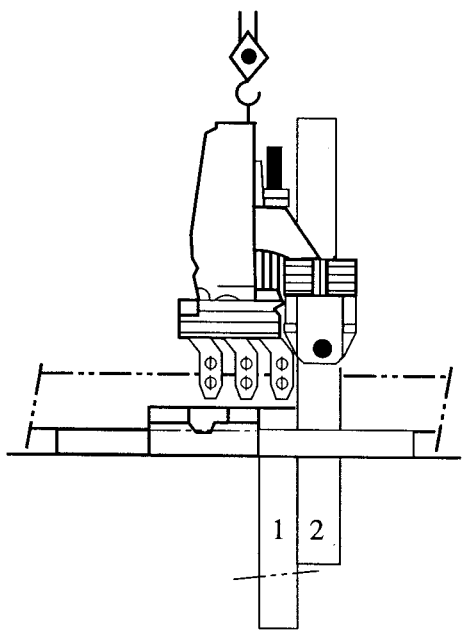
Next, press in the second pile halfway in, and grasp it with the chuck.

Then raise the main body of the Silent Piler.



C1

Cont/d . . .



D: Self-Movement of the Silent Piler

On completion of raising the main body of the Silent Piler, move it forward.

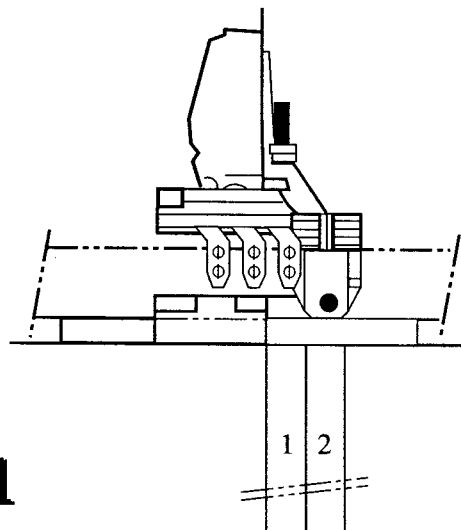
Reverse the left/right position of the clamp.

D1

E: Completion of Self-Movement

Lower the main body of the Silent Piler.

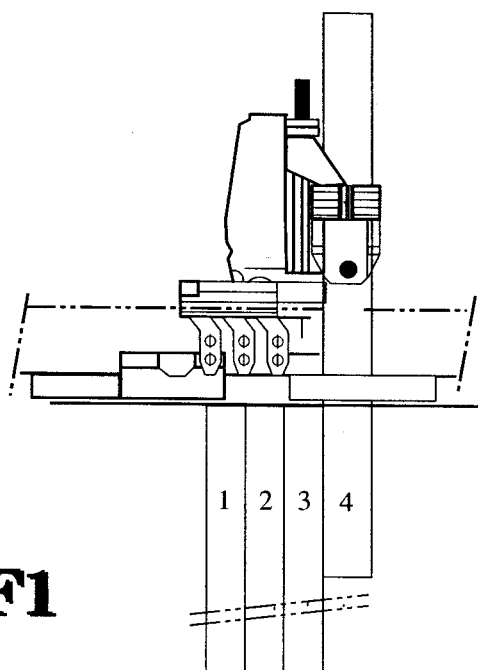
Clamp the reaction stand and the first steel sheet pile and press in the second pile up to the specified depth in the ground



E1

F:

Press in the third pile up to the specified depth and press the fourth pile halfway in.



F1